

ECONOMY COUNTER EQUIPMENT

Available in 18, 24", 36" and 48" widths



Economy Lavarock Char-broilers



Economy Radiant Char-broilers



Economy Griddles

All units have stainless steel exterior finish with optional 4" adjustable feet included. Certified for sanitation NSF-4 & gas operation by ETL. All units use standing pilot lights with brass manual control gas valves. Pressure regulators are supplied with each unit, preset at factory for natural gas (4" W.C.) or propane gas (10" W.C.). All controls are tested and confirmed in good working order. Manifold size is 3/4" NPT Calibration and installation adjustments are the responsibility of the buyer.

Lavarock Broilers: Heavy duty cast iron top & bottom grates. The reversible top grates are 3" wide and 19 3/4" deep. Body has built in splash guard sides with a removable full length grease trough across the front as well as a lower pull out grease drawer. Burners are U shaped rated at 30,000 BTUs each for even heat distribution.

☞ **Models: ELB18, ELB24, ELB36, ELB48**

Radiant Broilers: Top cook grates are heavy duty cast iron 3" wide x 20 1/4" deep. Top grates are height adjustable and reversible and feature a cast-in trough in each angled blade to channel grease to the front trough for reduced flare-up and maximum flavor. One 15,000 BTU string burner under each 6" of cooking surface. Radiants are heavy cast iron for even heat distribution and to hold cooking temperatures in excess of 700°. An optional splash guard is available for all sizes.

☞ **Models: ERB18, ERB24, ERB36, ERB48**

Griddles: 3/4" thick griddle plate with one 30,000 BTU rated U shaped burner per foot for quick recovery and cooking power. Griddle cooking surface is 19.5" deep. A spatula wide grease trough leads to a front draining grease slot feeding through into an easily removable, large 1 gallon capacity, grease drawer. Some models available with grooved griddle plates. Call for models and pricing

☞ **Models: EG18, EG24, EG36, EG48**

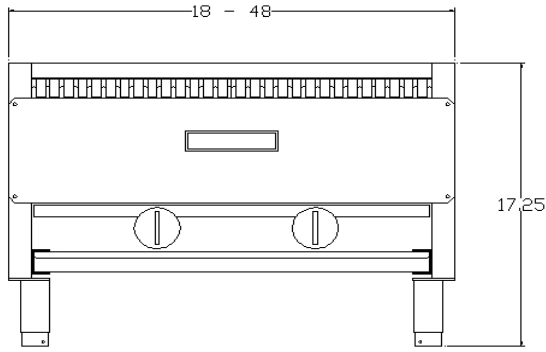
Comstock-Castle Stove Co.

119 W. Washington St. Quincy, IL 62301

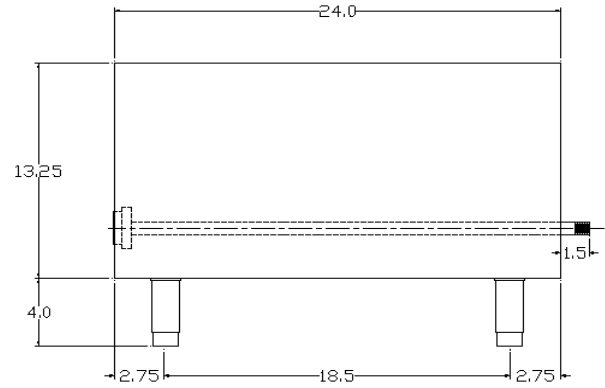
Tel: 800-637-9188 • Fax: 217-223-0007

www.castlestove.com



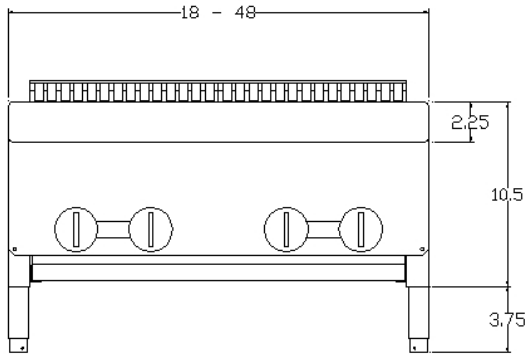


FRONT VIEW

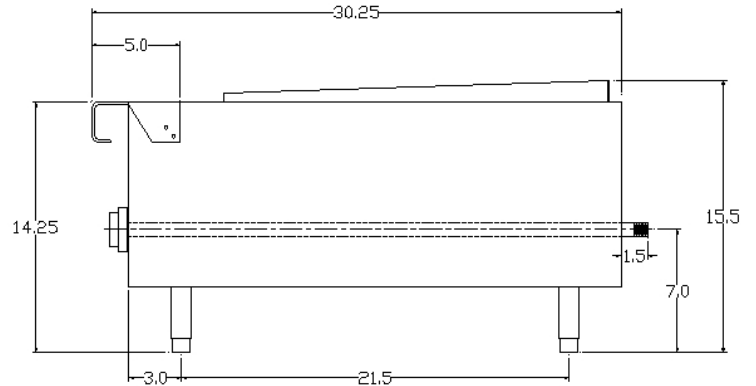


SIDE VIEW

ELB Lavarock Broilers: Shipping weights; ELB18 155 lbs, ELB24 200 lbs, ELB36 280 lbs, ELB48 360 lbs

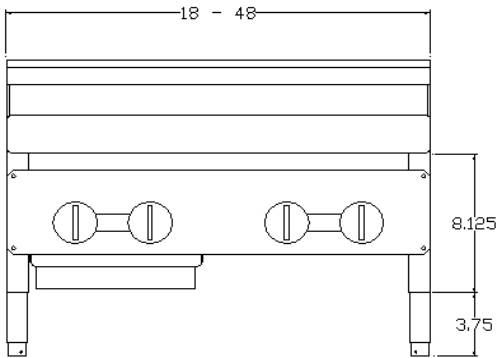


FRONT VIEW

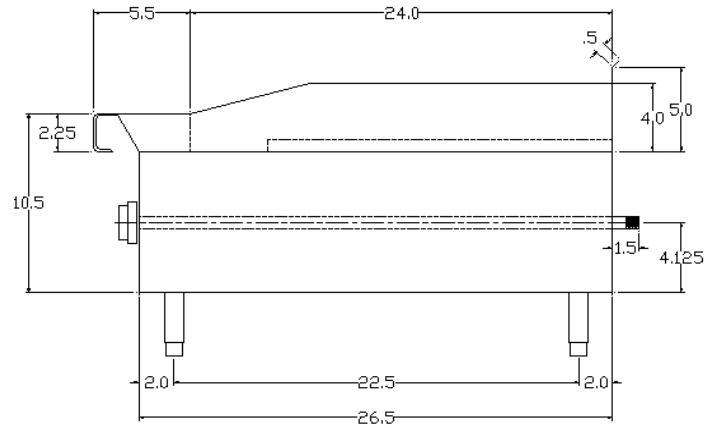


SIDE VIEW

ERB Radiant Broilers: ERB18 155 lbs, ERB24 215 lbs, ERB36 295 lbs, ERB48 405 lbs



FRONT VIEW



SIDE VIEW

EG Griddles: EG18 150 lbs, EG24 205 lbs, EG36 275 lbs, EG48 430 lbs All freight class 85